

FX-EX44

100M HDBaseT Extender With Audio Embedded,Audio Extraciton POC,Ethernet

Dear Customer

Thank you for purchasing this product. For optimum performance and safety, please read these instructions carefully before connecting, operating or adjusting this product. Please keep this manual for future reference.

ABLE OF CONTENTS

Feature

Specifications

Package Contents

Panel Descriptions

Connecting and Operating

Typical Application

Product Service

Warranty

Feature

- 1) Incorporate HDBaseT technology
- 2) Transmit up to 100m under the 1080P and up to 70m under 4K
- 3) HDCP2.2/1.4 compliant
- 4) Support 3D
- 5) Support dual POC(Receiver powered by transmitter or transmitter powered by Receiver)
- 6) Support RS232, Ethernet pass through
- 7) Support Wide-band Bi-directional IR (38KHz to 56 KHz)
- 8) Input audio: SPDIF 5.1 and L/R Analog Audio Embedded at transmitter
- 9) Output audio: SPDIF 5.1 and L/R Stereo Analog Audio Extraction at receiver
- 10) Power Supply DC24V
- 11) Power Consumption : 13 watts
- 12) Dimension (L×W×H):TX/RX:152.2×112.4×28mm
- 13) Net Weight:TX:459.2g ;RX:464.5g

NOTICE

Our company reserve the right to make changes in the hardware, packaging and any accompanying documentation without prior written notice.

SPECIFICATIONS

Operating Temperature Range	-5 to +35°C (+23 to +95°F)
Operating Humidity Range	5 to 90%RH (No Condensation)
Input Video Signal	0.5-1.0 volts p-p
Input DDC Signal	5 volts p-p (TTL)
Video Format Supported	4K@60Hz(YUV4:2:0 8bit),4K@30Hz 1080P/1080i/720P/576P/480P/576i/480i
Output Video	HDCP1.4/2.2
Output Audio	Dolby True HD, DTS-HD Master Audio
IR Frequency	38-56KHz
RS232 Baud rate	Up to 115200bps
Maximum Transmission Distance	100 meters for 1080P, 70 meters for 4K
Power consumption	13W
Dimension (L×W×H)	TX/RX: L152.2xW112.4xH28mm
Net Weight	Transmitter:459.2g ; Receiver:464.5g

Note: Specifications are subject to change without notice. Mass and dimensions are approximate.

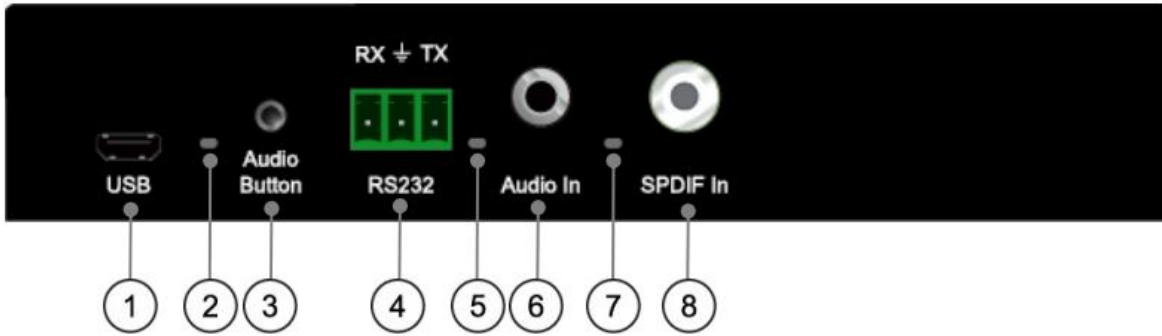
PACKING CONTENTS

- 1) Main Unit: HDMI Extender(Transmitter& Receiver)
- 2) Power Adapter DC 24V/1A
- 3) 2xIR TX unit(IR emitter cable,1 pcs for TX,1 PCS for RX)
- 4) 2xIR unit (IR receiver cable,1 Pcs for TX,1 PCS or for RX)
- 5) 2xPhoenix plugs for RS232 cable termination
- 6) 1x User's Manual

Notes: Please confirm if the product and the accessories and all in duded, if not please contact with the dealers.

PANEL DESCRIPTION

EX44-TX front panel

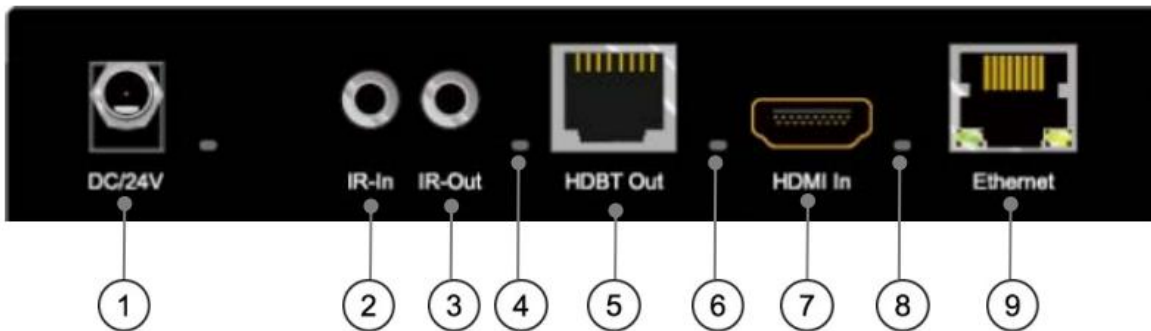


- ① USB port
- ② Indicator of system run
- ③ Audio Button/Reset
- ④ RS232port
- ⑤Indicator of Analog Audio Input
- ⑥ Analog Audio In port
- ⑦Indicator of SDPIF input
- ⑧ SDPIF in port

Note:1) Audio input is from HDMI by default,first press to switch to SPDIF Audio input and indicator⑦ will light up,second press to switch to Analog audio input and indicator⑤will light up

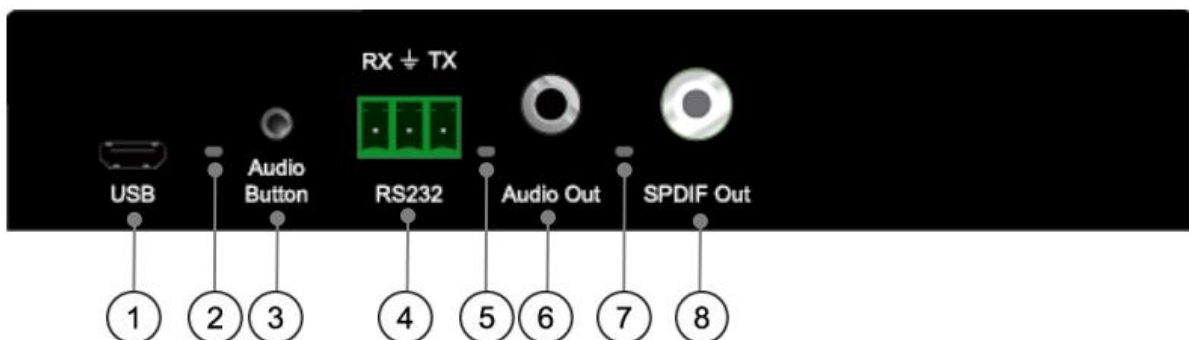
2) Press for 3 seconds for Reset

Back Panel



- ① Power input
- ② IR-In
- ③ IR-Out
- ④ Indicator of HDBaseT Link
- ⑤ HDBaseT out port
- ⑥ Indicator of Extender system run
- ⑦HDMI In port
- ⑧ Indicator of HDMI In
- ⑨ Ethernet port

EX44-RX front Panel



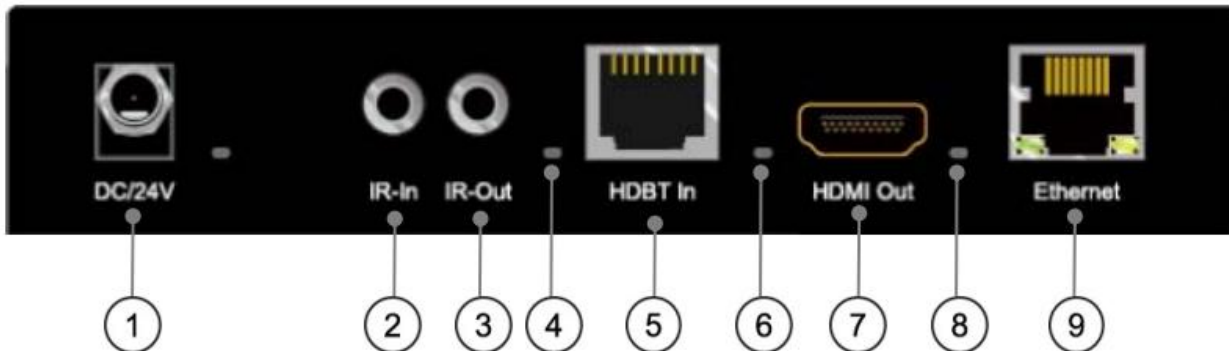
- ① USB port
- ② Indicator of system run

- ③ Audio Button/Reset
- ④ RS232 port
- ⑤ Indicator of Analog Audio Output
- ⑥ Analog Audio Out port
- ⑦ Indicator of SDPIF Output
- ⑧ SDPIF Out port

Note: 1) Audio input is from HDMI by default, first press to switch to SPDIF Audio input and indicator ⑦ will light up, second press to switch to Analog audio input and indicator ⑤ will light up

3) Press for 3 seconds for Reset

Back Panel

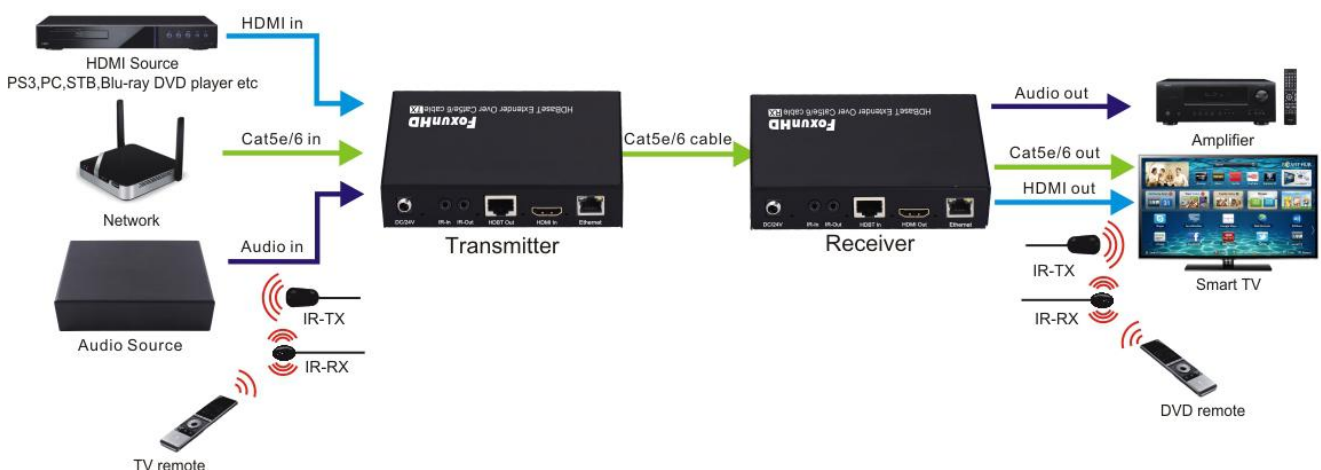


- ① Power input
- ② IR-In
- ③ IR-Out
- ④ Indicator of HDBaseT Link
- ⑤ HDBaseT In port
- ⑥ Indicator of Extender system run
- ⑦ HDMI Out port
- ⑧ Indicator of HDMI Out
- ⑨ Ethernet port

CONNECT AND OPERATE

Application :

- HDMI cable ———
- Cat5e/6 cable ———
- Audio cable ———



- 1) Connect the HDMI input source (such as HD-DVD, PS3, STB etc.) to TX.
- 2) Connect a CAT-5E/6E cable from HDBaseT output of TX to HDBaseT input of RX.

- 3) Connect the HDMI sink (such as HD-LCD、HD-DLP) to RX.
- 4) Connect the IR TX UNIT into IR-Out port of the Transmitter; Connect the IR RX UNIT into IR-In port of the Receiver.
- 5) Connect the IR RX UNIT into IR-In port of the Transmitter; Connect the IR TX UNIT into IR-Out port of the Receiver.
- 6) Connect the 24V power supply into Transmitter or Receiver.

Attention: 1) Insert/Extract cable gently.

2) Please connect HDBaseT out and HDBaseT in by one Cat5e/6 cable, please don't connect HDBaseT port with Ethernet, doing so will damage your unit !

MAINTENANCE

Clean this unit with a soft, dry cloth. Never use alcohol, paint thinner or benzene to clean this unit.

PRODUCT SERVICE

- 1) **Damage requiring service:** The unit should be serviced by qualified service personnel if:
 - (a)The DC power supply cord or AC adaptor has been damaged;
 - (b)Objects or liquids have gotten into the unit;
 - (c)The unit has been exposed to rain;
 - (d)The unit does not operate normally or exhibits a marked change in performance;
 - (e)The unit has been dropped or the cabinet damaged.
- 2) **Servicing Personnel:** Do not attempt to service the unit beyond that described in these operating instructions. Refer all other servicing to authorized servicing personnel.
- 3) **Replacement parts:** When parts need replacing ensure the servicer uses parts specified by the manufacturer or parts that have the same characteristics as the original parts. Unauthorized substitutes may result in fire, electric shock, or other hazards.
- 4) **Safety check:** After repairs or service, ask the servicer to perform safety checks to confirm that the unit is in proper working condition.

WARRANTY

If your product does not work properly because of a defect in materials or workmanship, our Company

(referred to as "the warrantor") will , for the length of the period indicated as below,

(Parts(2)Year ,Labor(90) Days) which starts with the date of original purchase ("Limited Warranty period"), at its option either(a) repair your product with new or refurbished parts, or (b) replace it with a new of a refurbished product. The decision to repair or replace will be made by the warrantor.

During the "Labor" Limited Warranty period there will be no charge for labor.

During the "Parts" warranty period, there will be no charge for parts. You must mail-in your product during the warranty period. This Limited Warranty is extended only to the original purchaser and only covers product purchased as new. A purchase receipt or other proof of original purchase date is required for Limited Warranty service.

LIMITED WARRANTY LIMITS AND EXCLUSIONS

1) This Limited Warranty ONLY COVERS failures due to defects in materials or workmanship, and DOES NOT COVER normal wear and tear or cosmetic damage. The Limited Warranty ALSO DOES NOT COVER damages which occurred in shipment, or failures which are caused by products not supplied by warrantor,or failures which result from accidents,misuse,abuse,neglect, mishandling, misapplication, alteration, faulty installation, set-up adjustments, misadjustment of consumer controls, improper maintenance, power line surge, lightning damage, modification, or service by anyone other than a Factory Service center or other Authorized Servicer, or damage that is attributable to acts of God.

2) THERE ARE NO EXPRESS WARRANTIES EXCEPT AS LISTED UNDER "LIMITED WARRANTY COVERAGE".THE WARRANTOR IS NOT LIABLE FOR INCIDENTAL OR CONSEQUENTIAL DAMAGES RESULTING FROM THE USE OF THIS PRODUCT, OR ARISING OUT OF ANY BREACH OF THIS WARRNTY. (As examples, this excludes damages for lost time, cost of having someone remove or re-install an installed unit if applicable, travel to and from the service, loss of or damage to media or images, data or other recorded content. The items listed are not exclusive, but are for illustration only.

PARTS AND SERVICE, WHICH ARE NOT COVERED BY THIS LIMITED WARRANTY, ARE YOUR RESPONSIBILITY.