

FX-EX53

HDBaseT Ultra Slim Extender Kit HDR,4K@60Hz 4:4:4,up to 40m

Dear Customer

Thank you for purchasing this product. For optimum performance and safety, please read these instructions carefully before connecting, operating or adjusting this product. Please keep this manual for future reference.

ABLE OF CONTENTS

Feature

Specifications

Package Contents

Panel Descriptions

System requirements

Connecting and Operating

Typical Application

Product Service

Warranty

SAFETY PRECAUTIONS

- Always follow basic safety precautions to reduce the risk of fire, electrical shock and injury to persons.
- To prevent fire or shock hazard, do not expose the unit to rain, moisture or install this product near water.
- Never spill liquid of any kind on or into this product.
- Never push an object of any kind into this product through any openings or empty slots in the unit, as you may damage parts inside the unit.
- Do not attach the power supply cabling to building surfaces.
- Use only the supplied power supply unit (PSU). Do not use the PSU if it is damaged.
- Do not allow anything to rest on the power cabling or allow any weight to be placed upon it or any person walk on it.
- To protect the unit from overheating, do not block any vents or openings in the unit housing that provide ventilation and allow for sufficient space for air to circulate around the unit.

Feature

- Bandwidth up to 18Gbps, resolution up to 4k @60hz YUV 4:4:4
- Transmit up to 70m under 1080p, 40m under 4k
- Support HDR10, 3D
- With 1x looping HDMI out at Transmitter and 2 x HDMI out at Receiver
- Bi-directional wide band IR and RS232 Pass through
- Dual POC (Receiver powered by transmitter or transmitter powered by Receiver)
- HDCP2.2/ HDCP1.4 Compliant
- DC 24V/1A Power Supply.
- Power Consumption : 12watts
- Dimension (L×W×H):139.4x66.8x20mm
- Net Weight:540g

NOTICE

Our company reserve the right to make changes in the hardware, packaging and any accompanying documentation without prior written notice.

SPECIFICATIONS

Operating Temperature Range	-10 to +55°C (14 to +131 °F)
Operating Humidity Range	5 to 90%RH (No Condensation)
Input Video Signal	0.5-1.0 volts p-p
Input DDC Signal	5 volts p-p (TTL)
Input DDC Signal	5 volts p-p(TTL)
Support Video Format	DTV/HDTV; 4K/1080P/1080i/720P(50HZ)/576P/480P/576i/480i
Output Video	HDMI 2.0+HDCP1.4/2.2
Output Audio	Support DTS-HD, Dolby-HD
Support Audio Format	DTS-HD Master Audio/Dolby true-HD etc
Maximum Transmission Distance	70 meters for 1080P, 40 meters for 4K

Power Supply	24V/1A
Poc	Power from TX to RX over Cat5/6 cable
Power consumption	12watts(Max)
Dimension (L×W×H)	139.4x66.8x20mm
Net Weight	540g(Pairs)

Note: Specifications are subject to change without notice. Mass and dimensions are approximate.

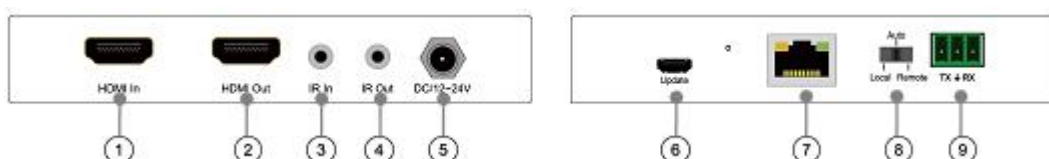
PACKING CONTENTS

- 1) Main Unit. Transmitter & Receiver
- 2) Power adapter DC24V/1A
- 3) 1xIR TX unit
- 4) 1xIR RX unit
- 5) 2 phoenix plugs for RS232 cable termination
- 6) Operating Instructions

Notes: Please confirm if the product and the accessories and all in duded, if not please contact with the dealers.

PANEL DESCRIPTION

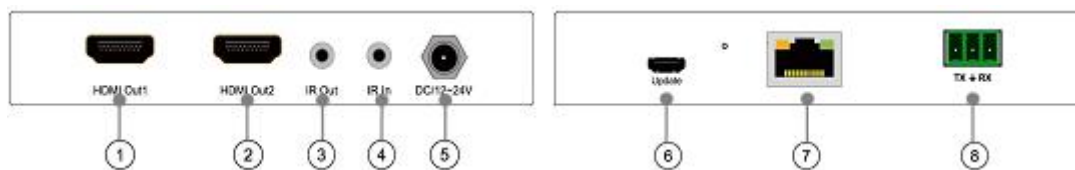
Transmitter Panel



- ① HDMI In: Connect to HDMI source equipment such as DVD or Blu-ray player
- ② HDMI Out: Connect to a HDMI equipped TV/Monitor for display of the HDMI input source signal
- ③ IR In: Connect to the supplied IR blaster cable for IR signal transmission. Place the IR blaster in direct line-of-sight of the equipment to be controlled.
- ④ IR Out: Connect to the supplied IR blaster cable for IR signal transmission. Place the IR blaster in direct line of sight of the equipment to be controlled
- ⑤ DC/12-24V: Plug the 24V DC power supply into the unit and connect the adaptor to an AC outlet

- ⑥ Update: USB port to update the firmware
- ⑦ CAT5e/6 Out: Connect to the receiver unit with a single CAT5e/6 cable for transmission of all data signals
- ⑧ EDID: Auto: default 4K@60Hz
Local: copy EDID from display of transmitter
Remote: copy EDID from display of receiver
- ⑨ RS232 in: Connect to a PC or laptop with phoenix terminal for the transmission of RS232 commands

RX



- ① HDMI Out1: Connect to a HDMI equipped TV/Monitor for display of the HDMI input source signal
- ② HDMI out2: Connect to a HDMI equipped TV/Monitor for display of the HDMI input source signal
- ③ IR Out: Connect to the supplied IR blaster cable for IR signal transmission. Place the IR blaster in direct line of sight of the equipment to be controlled
- ④ IR In: Connect to the supplied IR blaster cable for IR signal transmission. Place the IR blaster in direct line-of-sight of the equipment to be controlled.
- ⑤ DC/12-24V: Plug the 24V DC power supply into the unit and connect the adaptor to an AC outlet
- ⑥ Update: USB port to update the firmware
- ⑦ CAT5e/6 In : Connect to the transmitter unit with a single CAT5e/6 cable for transmission of all data signals
- ⑧ RS232 Out: Connect to the device that is to be controlled via phoenix terminal by RS-232 commands

SYSTEM REQUIREMENTS

Input HDMI source equipment such as DVD/Blu-ray player and HDMI equipped output display (TV or monitor)

CONNECT AND OPERATE

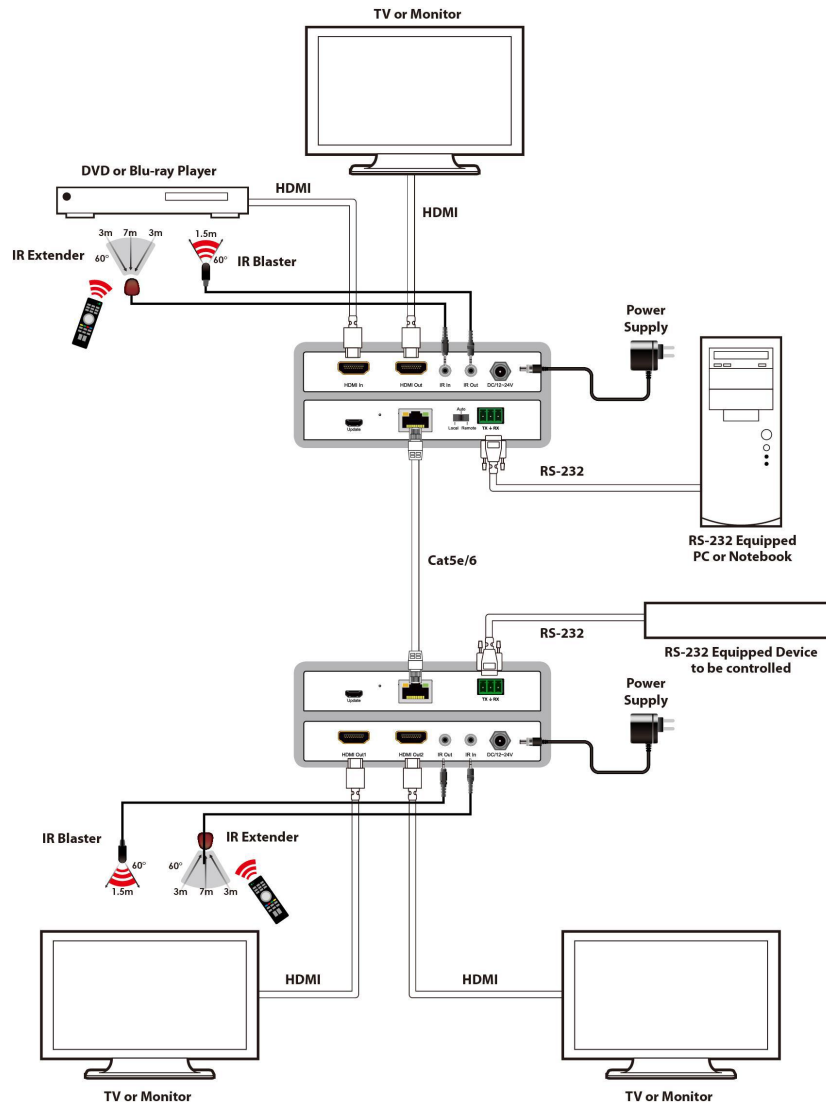
- 1) Connect the HDMI signal sources (Such as DVD,Blu-ray Player etc) to HDMI Transmitter.
- 2) Connect 2 CAT5e or cat6 cables to both the output of the transmitter inputs of the receiver. And note

that the right connection of the two cables

- 3) Connect the HDMI display 2(Such as TV or Monitor) into the Receiver.
- 4) Connect IR-TX cable into IR-RX port on the transmitter,connect RS-232 cable into RS232 port on the transmitter,connect HDMI cable between transmitter HDMI port with TV or Monitor ;connect IR-TX cable into IR-RX port on the receiver.
- 5) Power the supply of transmitter and receiver.

Typical Application

- 1) Household entertainment sharing and control
- 2) Lecture room display and control
- 3) Showroom display and control
- 4) Meeting room presentation and control
- 5) Classroom display and control



Attention: 1) Insert/Extract cable gently.

2) Please don't insert into or pull out HDMI Cable when power on. please connect Cable only when power is off.

MAINTENANCE

Clean this unit with a soft, dry cloth. Never use alcohol, paint thinner or benzene to clean this unit.

PRODUCT SERVICE

1) **Damage requiring service:** The unit should be serviced by qualified service personnel if:

- (a)The DC power supply cord or AC adaptor has been damaged;
- (b)Objects or liquids have gotten into the unit;
- (c)The unit has been exposed to rain;

(d)The unit does not operate normally or exhibits a marked change in performance;

(e)The unit has been dropped or the cabinet damaged.

2) **Servicing Personnel:** Do not attempt to service the unit beyond that described in these operating instructions. Refer all other servicing to authorized servicing personnel.

3) **Replacement parts:** When parts need replacing ensure the servicer uses parts specified by the manufacturer or parts that have the same characteristics as the original parts. Unauthorized substitutes may result in fire, electric shock, or other hazards.

4) **Safety check:** After repairs or service, ask the servicer to perform safety checks to confirm that the unit is in proper working condition.

WARRANTY

If your product does not work properly because of a defect in materials or workmanship, our Company (referred to as "the warrantor") will , for the length of the period indicated as below,

(Parts(2)Year ,Labor(90) Days) which starts with the date of original purchase ("Limited Warranty period"), at its option either(a) repair your product with new or refurbished parts, or (b) replace it with a new of a refurbished product. The decision to repair or replace will be made by the warrantor.

During the "Labor" Limited Warranty period there will be no charge for labor.

During the "Parts" warranty period, there will be no charge for parts. You must mail-in your product during the warranty period. This Limited Warranty is extended only to the original purchaser and only covers product purchased as new. A purchase receipt or other proof of original purchase date is required for Limited Warranty service.

LIMITED WARRANTY LIMITS AND EXCLUSIONS

1) This Limited Warranty ONLY COVERS failures due to defects in materials or workmanship, and DOES NOT COVER normal wear and tear or cosmetic damage. The Limited Warranty ALSO DOES NOT COVER damages which occurred in shipment, or failures which are caused by products not supplied by warrantor,or failures which result from accidents,misuse,abuse,neglect, mishandling, misapplication, alteration, faulty installation, set-up adjustments, misadjustment of consumer controls, improper maintenance, power line surge, lightning damage, modification, or service by anyone other than a Factory Service center or other Authorized Servicer, or damage that is attributable to acts of God.

2) THERE ARE NO EXPRESS WARRANTIES EXCEPT AS LISTED UNDER "LIMITED WARRANTY COVERAGE". THE WARRANTOR IS NOT LIABLE FOR INCIDENTAL OR CONSEQUENTIAL DAMAGES RESULTING FROM THE USE OF THIS PRODUCT, OR ARISING OUT OF ANY BREACH OF THIS WARRANTY. (As examples, this excludes damages for lost time, cost of having someone remove or re-install an installed unit if applicable, travel to and from the service, loss of or damage to media or images, data or other recorded content. The items listed are not exclusive, but are for illustration only. PARTS AND SERVICE, WHICH ARE NOT COVERED BY THIS LIMITED WARRANTY, ARE YOUR RESPONSIBILITY.