

FX-EW60-3DIR

60m HDMI Extender over single Cat5e/6, Support 3D, IR

Dear Customer

Thank you for purchasing this product. For optimum performance and safety, please read these instructions carefully before connecting, operating or adjusting this product. Please keep this manual for future reference.

ABLE OF CONTENTS

Feature

Specifications

Package Contents

Panel Descriptions

Connecting and Operating

Typical Application

Product Service

Warranty

Feature

- Each set includes one transmitter and one receiver.
- Following North American wall plate standard
- Use single UTP cable(Cat5e/6) to substitute HDMI cable to achieve long distance transmission,
The UTP cable follows the standard of IEEE-568B
- Transmission distance reaches up to 60 meters under the video format of 1080p.
- Signaling rates up to 2.25 Gbits at 1080p.
- With IR control to the source.
- Support 3D video format.
- Power Consumption : TX:3watts;RX:3watts
- Dimension (L×W×H):115x70x35mm.
- Net Weight:Receiver:130g,Transmitter:130g

NOTICE

Our company reserve the right to make changes in the hardware, packaging and any accompanying documentation without prior written notice.

SPECIFICATIONS

| | |
|-----------------------------|---|
| Operating Temperature Range | -5 to +65°C(+23 to +149°F) |
| Operating Humidity Range | 5 to 90%RH (No Condensation) |
| Input Video Signal | 0.5-1.0 Volts P-P |
| Input DDC Signal | 5 volts p-p(TTL) |
| Support Video Format | DTV/HDTV:480i/576i/480P/576P/720P/1080i/1080P |
| Video Output | HDMI |
| Support Audio Format | DTS-HD Master Audio、Dolby true-HD etc. |
| Transmission Distance | 1080P 8-bit 60m over CAT5E/CAT6 /24AWG/Solid(recommend to use 23AWG Cat6 cable) over CAT5E/CAT6 /24AWG/Solid(recommend to use 23AWG Cat6 cable) |
| Power consumption | 3watts |
| IR wavelength & frequency | Wavelength:940mm,frequency 38KHz |
| Dimension (L×W×H) | 115x70x35mm |
| Net Weight | Receiver:130g,Transmitter:130g |

Note: Specifications are subject to change without notice. Mass and dimensions are approximate.

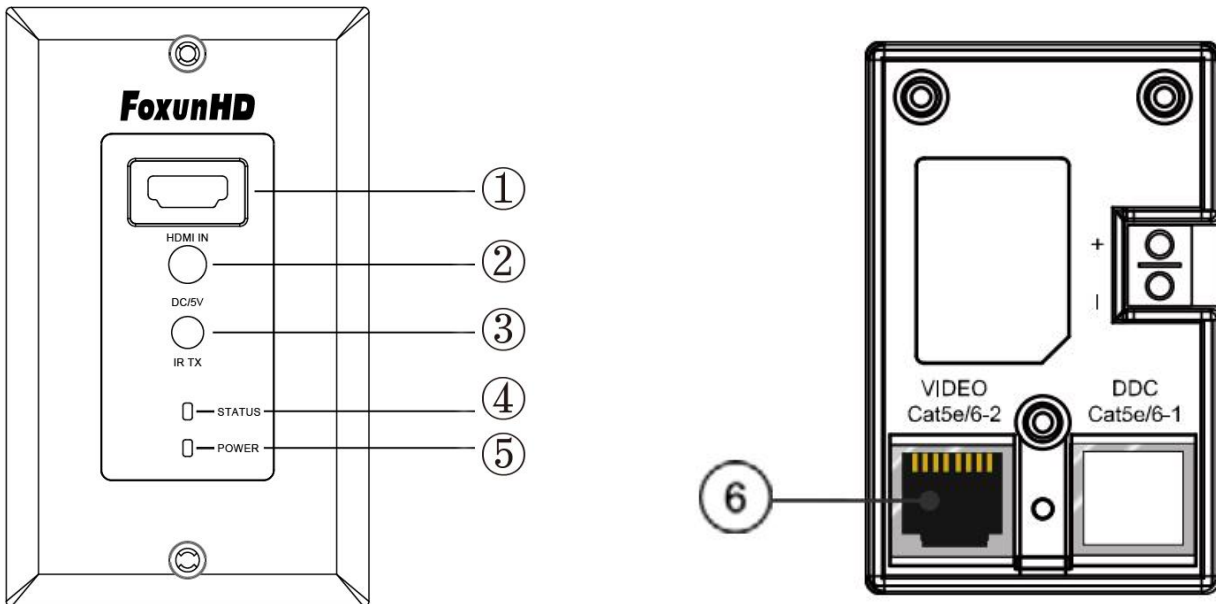
PACKING CONTENTS

- 1) Main Unit. HDMI wall plate Extender
- 2) Operating Instructions
- 3) IR TX unit (IR emitter cable)
- 4) IR RX unit (IR receiver cable)
- 5) Power adapter DC 5V 1A x2PCS

Notes: Please confirm if the product and the accessories and all in duded, if not please contact with the dealers.

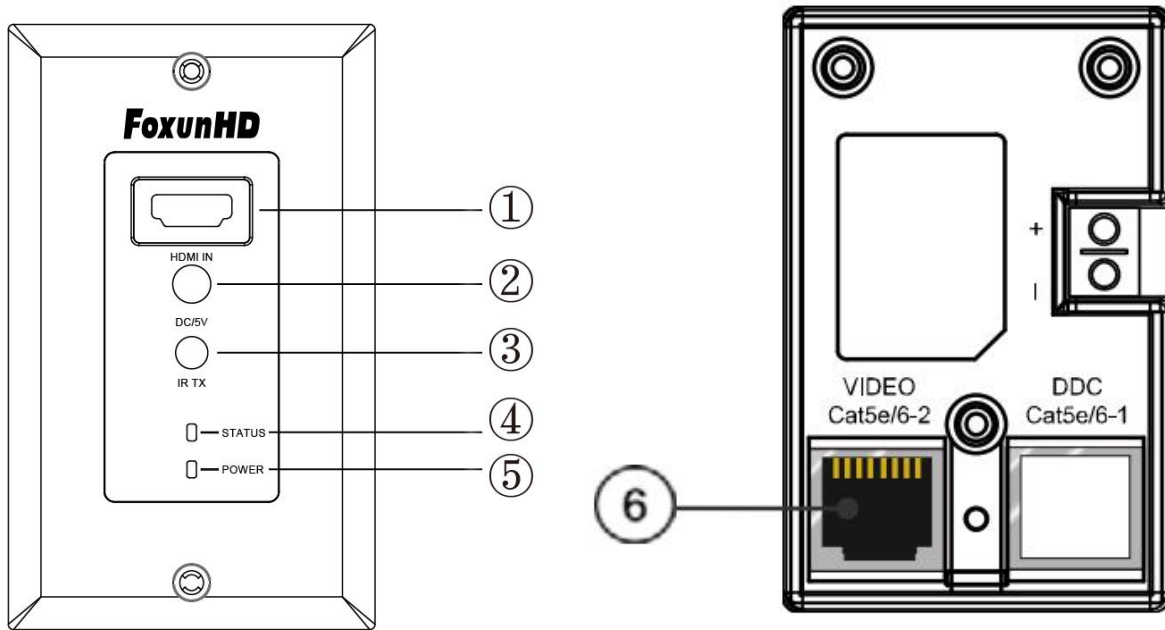
PANEL DESCRIPTION

EW60-3DIR-TX



- | | |
|-----------------------------|--|
| 1) HDMI input port | 2)power input port |
| 3) IR-TX. | 4) Indicator Status of Signals connections |
| 5) Indicator of power input | 6) Cat5e/6 output |

EW60-3DIR-RX



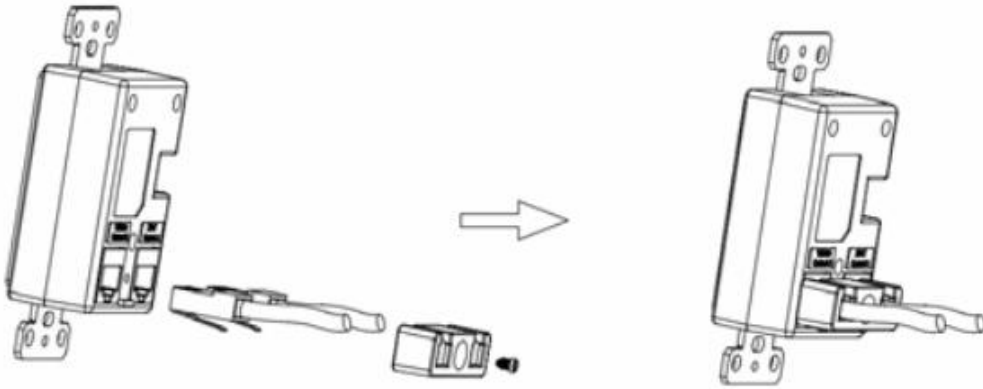
- | | |
|------------------------------|-----------------------------------|
| 1) HDMI output port | 2) power input port |
| 3) IR-RX | 4) Indicator of Signal connection |
| 5) Indicator of power Input. | 6) Cat5e/6 input port. |

CONNECT AND OPERATE

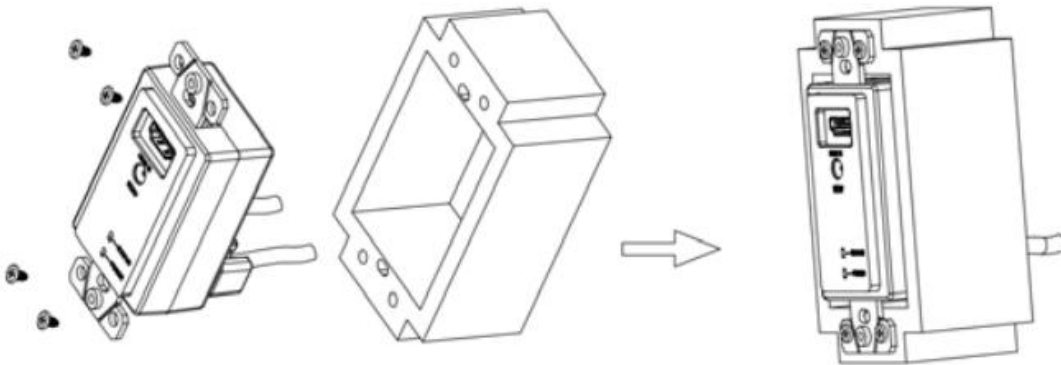
- 1) Connect the HDMI input source (such as HD-DVD/PS3/STB etc) into transmitter .
- 2) Connect one CAT5E or CAT6 cable to both the output of transmitter and input of receiver.
- 3) Connect the HDMI display (such as HD-LCD/HD-DLP) into the receiver
- 4) Connect the IR TX cable into "IR TX" port of the transmitter; Connect the IR RX cable into "IR RX" port of the receiver.
- 5) Connect DC 5V power supply to transmitter and receiver.

INSTALLATION

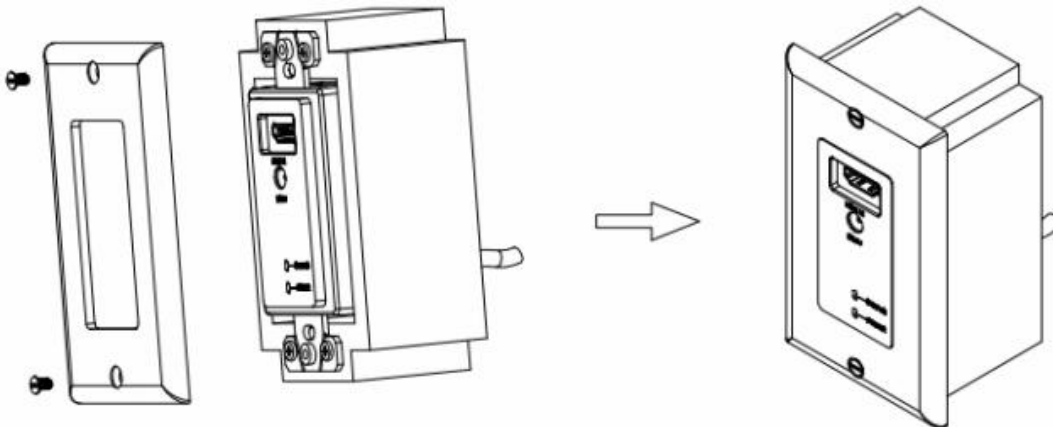
Step1:Use the fixing clip and 4#24x5/16 screws(included in the package) to fix the cat5e/6 cables



Step2: put the HDMI wall plate extender to your outlex box and fix it



Step3: put the wall plate to the extender and use included 6#32x7/32" screws to fix it





Attention: insert/Extract cable gently.

MAINTENANCE

Clean this unit with a soft, dry cloth. Never use alcohol, paint thinner or benzene to clean this unit.

PRODUCT SERVICE

- 1) **Damage requiring service:** The unit should be serviced by qualified service personnel if:
 - (a) The DC power supply cord or AC adaptor has been damaged;
 - (b) Objects or liquids have gotten into the unit;
 - (c) The unit has been exposed to rain;
 - (d) The unit does not operate normally or exhibits a marked change in performance;
 - (e) The unit has been dropped or the cabinet damaged.
- 2) **Servicing Personnel:** Do not attempt to service the unit beyond that described in these operating instructions. Refer all other servicing to authorized servicing personnel.
- 3) **Replacement parts:** When parts need replacing ensure the servicer uses parts specified by the manufacturer or parts that have the same characteristics as the original parts. Unauthorized substitutes may result in fire, electric shock, or other hazards.
- 4) **Safety check:** After repairs or service, ask the servicer to perform safety checks to confirm that the unit is in proper working condition.

WARRANTY

If your product does not work properly because of a defect in materials or workmanship, our Company (referred to as "the warrantor") will , for the length of the period indicated as below,

(Parts(2)Year ,Labor(90) Days) which starts with the date of original purchase ("Limited Warranty period"), at its option either(a) repair your product with new or refurbished parts, or (b) replace it with a new of a refurbished product. The decision to repair or replace will be made by the warrantor.

During the "Labor" Limited Warranty period there will be no charge for labor.

During the "Parts" warranty period, there will be no charge for parts. You must mail-in your product during the warranty period. This Limited Warranty is extended only to the original purchaser and only covers product purchased as new. A purchase receipt or other proof of original purchase date is required for Limited Warranty service.

LIMITED WARRANTY LIMITS AND EXCLUSIONS

1) This Limited Warranty ONLY COVERS failures due to defects in materials or workmanship, and DOES NOT COVER normal wear and tear or cosmetic damage. The Limited Warranty ALSO DOES NOT COVER damages which occurred in shipment, or failures which are caused by products not supplied by warrantor,or failures which result from accidents,misuse,abuse,neglect, mishandling, misapplication, alteration, faulty installation, set-up adjustments, misadjustment of consumer controls, improper maintenance, power line surge, lightning damage, modification, or service by anyone other than a Factory Service center or other Authorized Servicer, or damage that is attributable to acts of God.

2) THERE ARE NO EXPRESS WARRANTIES EXCEPT AS LISTED UNDER "LIMITED WARRANTY COVERAGE".THE WARRANTOR IS NOT LIABLE FOR INCIDENTAL OR CONSEQUENTIAL DAMAGES RESULTING FROM THE USE OF THIS PRODUCT, OR ARISING OUT OF ANY BREACH OF THIS WARRANTY. (As examples, this excludes damages for lost time, cost of having someone remove or re-install an installed unit if applicable, travel to and from the service, loss of or damage to media or images, data or other recorded content. The items listed are not exclusive, but are for illustration only.

PARTS AND SERVICE, WHICH ARE NOT COVERED BY THIS LIMITED WARRANTY, ARE YOUR RESPONSIBILITY.