

FX-SDI-108

SD/HD/3G-SDI 1 to 8 Distribution Amplifier & Repeater

Dear Customer

Thank you for purchasing this product. For optimum performance and safety, please read these instructions carefully before connecting, operating or adjusting this product. Please keep this manual for future reference.

ABLE OF CONTENTS

Feature

Introduction

Specifications

Package Contents

Panel Descriptions

Connecting and Operating

Typical Application

Product Service

Warranty

Feature

- Distributes 1 SDI input to 8 SDI outputs simultaneously
- Single unit can transmit up to 120m/390ft (Beldon 1694A)
- Re-clocking function capability---unlimited repeater connection
- Support SDI Standard :SD-SDI,HD-SDI, 3D-SDI
- Data Rates: 270Mbps(SD-SDI), 1.485Gbps (HD-SDI), 2.97Gbps (3G-SDI)
- Signal Type: SMPTE 292M, SMPTE 259M, SMPTE 424M
- DC 5V 1A (Power consumption less than 2W)
- With mounting ears
- Power consumption:2watts
- Dimension (L×W×H):115x64x30mm

NOTICE

Our company reserve the right to make changes in the hardware, packaging and any accompanying documentation without prior written notice.

INTRODUCTION

It is newest 1x8 3G SDI splitter&Repeater . It offers HD video solution for super market, shopping mall; HDTV, STB, DVD and projector factory; data control center; conference rooms; education and training; luxurious house; home theaters etc.

SPECIFICATIONS

Re-clocking Function	Yes
SDI Standards	SD-SDI, HD-SDI,3G-SDI
HD/SD-SDI Detection	Auto
Supported Protocols	SMPTE 259M SMPTE 292M SMPTE 424M
Data Rates	270Mbps(SD-SDI), 1.485Gbps (HD-SDI), 2.97Gbps (3G-SDI)

Video Support	480i@60hz, 720p@50/59.94/60hz, 1080i@50/59.94/60hz, 1080p@23.98/24/25/29.97/30/50/59.94/60hz
SDI Signal Type	SMPTE-292M, SMPTE-259M, SMPTE-424M
Output Impedance	75 ohms
Cable Equalization	HD-SDI up to 120m SD-SDI up to 200m Unlimited repeater connection
Audio Sampling rate	48Khz
Impedance	75 ohms
Input	1x BNC [SDI]
Output	8x BNC [SDI]
Power Adapter	5V 1A DC
Power Consumption	2W
Operating Temperature	-5 to +65°C (+23 to +149°F)
Storage Temperature	-20°C ~ 60°C / -4°F ~ 140°F
Relative Humidity	20~90% RH (no condensation)
Housing Material	Metal case

Note: Specifications are subject to change without notice. Mass and dimensions are approximate.

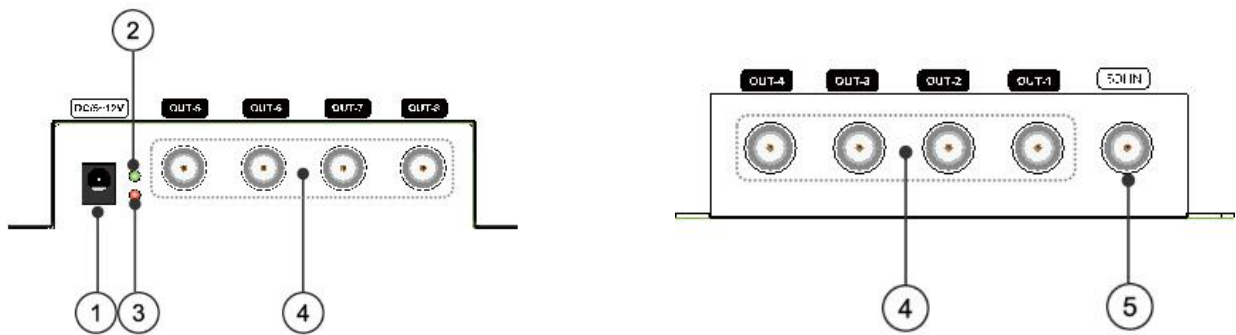
PACKING CONTENTS

- 1) 1x8 SDI repeater
- 2) 5V DC power adaptor
- 3) Operating Instructions

Notes: Please confirm if the product and the accessories and all in duded, if not please contact with the dealers.

PANEL DESCRIPTION

Panel



- 1) DC 5V~12V
- 2) Green indicator of source status
- 3) Red indicator of power input
- 4) SDI outputs
- 5) SDI input

CONNECT AND OPERATE

- 1) Connect a camera or other device equipped with SDI output to 1x8 SDI Repeater input.
- 2) Connect devices equipped with SDI input (e.g monitors or video processors) to the FX-SDI-108 outputs.
- 3) Plug power adapter into power jack.

Note: A .Connect a camera or other device equipped with SDI output to FX-SDI-108 input.

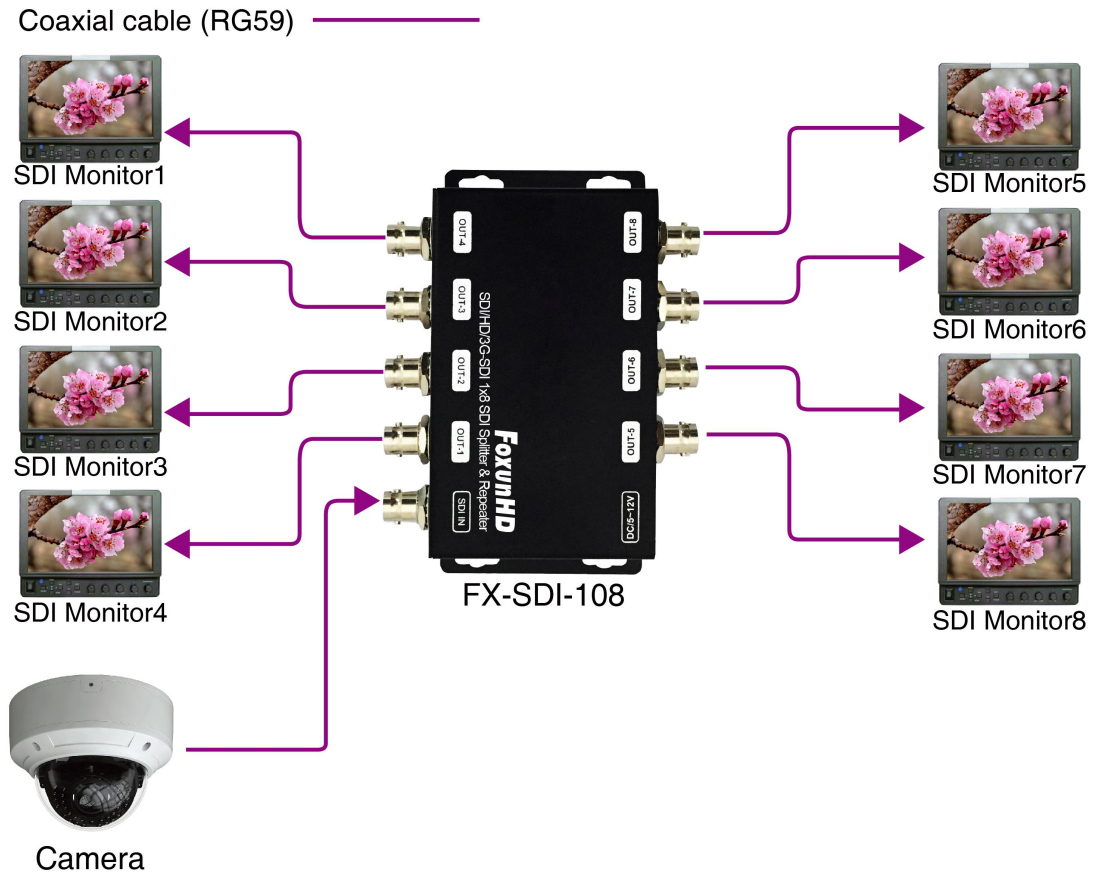
B.Connect devices equipped with SDI input (e.g monitors or video processors) to the FX-SDI-108 outputs.

C.Plug power adapter into power jack.

Typical Application

- 1) **Distribute one SDI input to 8 SDI output**

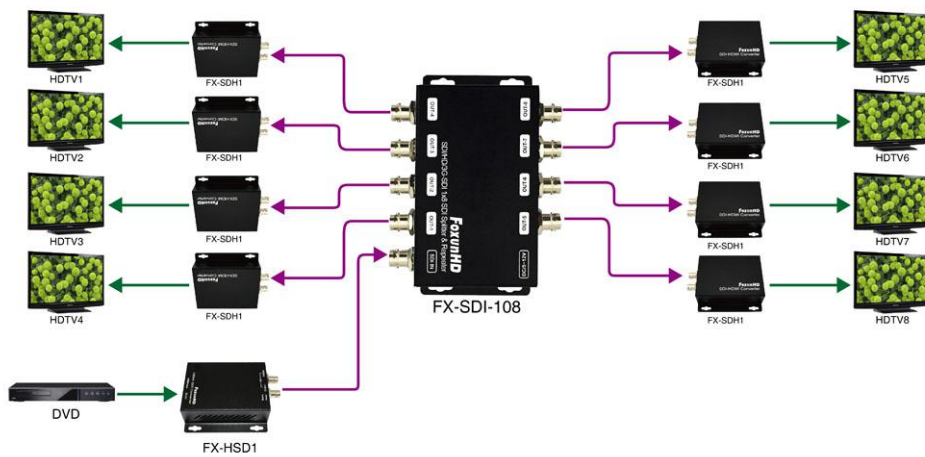
Distribute one SDI input to 8 SDI output



2) Connect with FX-HSD1 and FX-SDH1

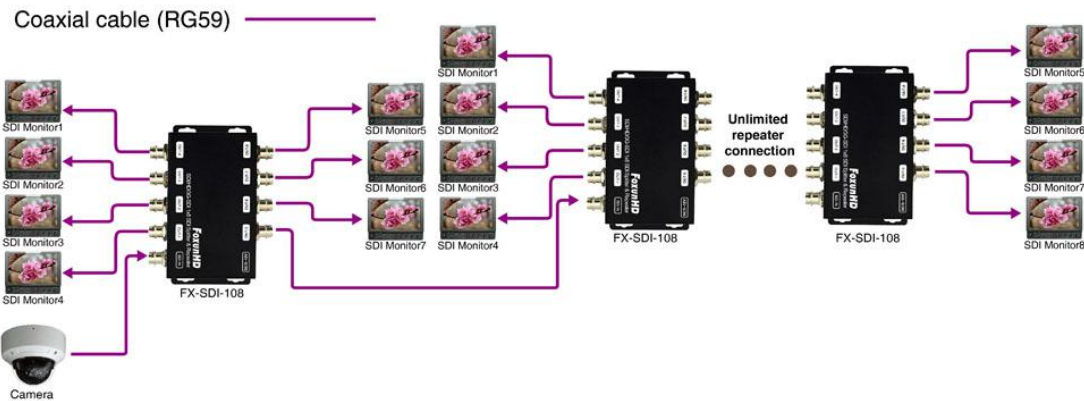
Connect with FX-HSD1 and FX-SDH1

HDMI cable —————
Coaxial cable (RG59) —————



3) Repeater connection

Repeater connection



Attention: 1) Insert/Extract cable gently.

2) Please don't insert into or pull out HDMI Cable when power on. please connect Cable only when power is off.

MAINTENANCE

Clean this unit with a soft, dry cloth. Never use alcohol, paint thinner or benzene to clean this unit.

PRODUCT SERVICE

1) **Damage requiring service:** The unit should be serviced by qualified service personnel if:

- (a)The DC power supply cord or AC adaptor has been damaged;
- (b)Objects or liquids have gotten into the unit;
- (c)The unit has been exposed to rain;
- (d)The unit does not operate normally or exhibits a marked change in performance;
- (e)The unit has been dropped or the cabinet damaged.

2) **Servicing Personnel:** Do not attempt to service the unit beyond that described in these operating instructions. Refer all other servicing to authorized servicing personnel.

3) **Replacement parts:** When parts need replacing ensure the servicer uses parts specified by the manufacturer or parts that have the same characteristics as the original parts. Unauthorized substitutes may result in fire, electric shock, or other hazards.

4) **Safety check:** After repairs or service, ask the servicer to perform safety checks to confirm that the unit is in proper working condition.

WARRANTY

If your product does not work properly because of a defect in materials or workmanship, our Company (referred to as "the warrantor") will , for the length of the period indicated as below,

(Parts(2)Year ,Labor(90) Days) which starts with the date of original purchase ("Limited Warranty period"), at its option either(a) repair your product with new or refurbished parts, or (b) replace it with a new of a refurbished product. The decision to repair or replace will be made by the warrantor.

During the "Labor" Limited Warranty period there will be no charge for labor.

During the "Parts" warranty period, there will be no charge for parts. You must mail-in your product during the warranty period. This Limited Warranty is extended only to the original purchaser and only covers product purchased as new. A purchase receipt or other proof of original purchase date is required for Limited Warranty service.

LIMITED WARRANTY LIMITS AND EXCLUSIONS

1) This Limited Warranty ONLY COVERS failures due to defects in materials or workmanship, and DOES NOT COVER normal wear and tear or cosmetic damage. The Limited Warranty ALSO DOES NOT COVER damages which occurred in shipment, or failures which are caused by products not supplied by warrantor,or failures which result from accidents,misuse,abuse,neglect, mishandling, misapplication, alteration, faulty installation, set-up adjustments, misadjustment of consumer controls, improper maintenance, power line surge, lightning damage, modification, or service by anyone other than a Factory Service center or other Authorized Servicer, or damage that is attributable to acts of God.

2) THERE ARE NO EXPRESS WARRANTIES EXCEPT AS LISTED UNDER "LIMITED WARRANTY COVERAGE".THE WARRANTOR IS NOT LIABLE FOR INCIDENTAL OR CONSEQUENTIAL DAMAGES RESULTING FROM THE USE OF THIS PRODUCT, OR ARISING OUT OF ANY BREACH OF THIS WARRANTY. (As examples, this excludes damages for lost time, cost of having someone remove or re-install an installed unit if applicable, travel to and from the service, loss of or damage to media or images, data or other recorded content. The items listed are not exclusive, but are for illustration only.

PARTS AND SERVICE, WHICH ARE NOT COVERED BY THIS LIMITED WARRANTY, ARE YOUR RESPONSIBILITY.