

## **FX-SMX99**

### **Full-HD 9x9 Seamless HDMI Matrix With 3x3 Multi-View**

#### **Dear Customer**

Thank you for purchasing this product. For optimum performance and safety, please read these instructions carefully before connecting, operating or adjusting this product. Please keep this manual for future reference.

#### **ABLE OF CONTENTS**

**Feature**

**Specifications**

**Package Contents**

**Panel Descriptions**

**Connecting and Operating**

**Typical Application**

**Product Service**

**Warranty**



## Feature

- Any one of the 9 sources to any one of the 9 displays
- Seamless switching ensures no switching delay and picture loss during Transitions, the switching speed is less than 1 second
- Create a 3x3 multi-view on the 9th output port
- Support high definition resolutions up to Full HD 1080p
- With audio extraction for each output (optical audio output)
- With Panel Button, Remote Control, RS232 Control, IP Control to select the source
- Support Saving and Reading modes
- 1U rack design, easy installment
- DC 12V 3A power supply
- Size: L438xW220xH44mm
- Weight:3.38kg

## NOTICE

Our company reserves the right to make changes in the hardware, packaging and any accompanying documentation without prior written notice.

## SPECIFICATIONS

Operating Temperature Range	-5 to +65°C (+23 to +149°F)
Operating Humidity Range	5 to 90 % RH (no condensation)
HDMI Version	HDMI 1.3/DVI
HDCP	Yes
Video Input Port	9xHDMI
Video Output Port	9xHDMI
Audio Output	9xAudio
Control	Button, IR, RS232 or TCP/IP
Power Consumption	25watts
Housing	Metal
Dimensions(LxWxH)	440×256×42mm/17.3"L×10"W×1.65"H
Mass (Main Unit)	3.38kg/7.45lb

**Note: Specifications are subject to change without notice. Mass and dimensions are approximate.**

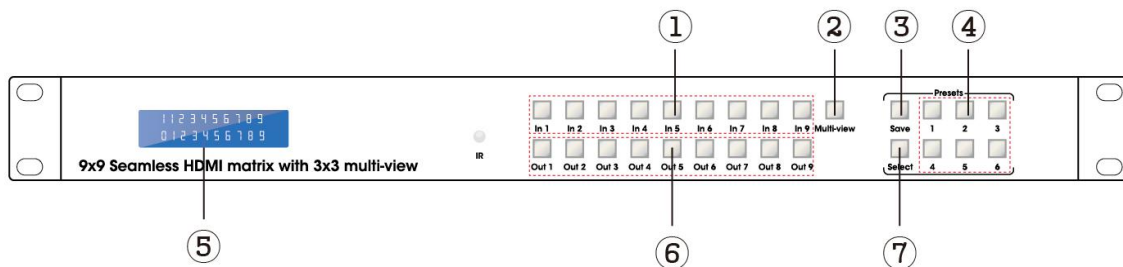
**PACKING CONTENTS**

- 1) 9x9 Matrix (FX-SMX99) 1pcs
- 2) Remote controller 1pcs
- 3) CD ROM (user manual) 1pcs
- 4) Power adapter 12V3A 1pcs
- 5) Mountain ears 1pair
- 6) IR cable 1pcs
- 7) Operating Instructions.

**Notes: Please confirm if the product and the accessories and all in duded, if not please contact with the dealers.**

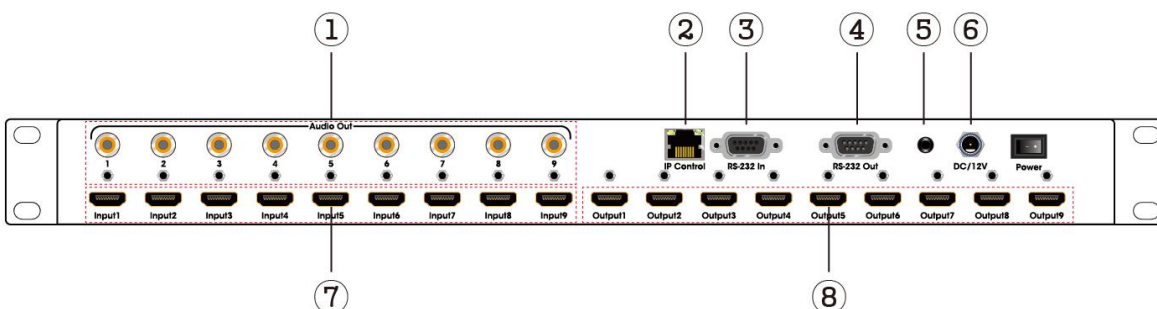
**PANEL DESCRIPTION**

**Front Panel**



- 1) Input
- 2) 3x3 Multi-View
- 3) Source Save
- 4) Recall/Fast Key
- 5) Displays:Input/Output
- 6) Output
- 7) Source Selection

**Rear panel**



- |               |                      |             |
|---------------|----------------------|-------------|
| 1) Audio Out  | 2) IP control port   | 3) RS232 In |
| 4) RS232 out  | 5) IR Extension Port | 6) DC/12V   |
| 7) HDMI Input | 8) HDMI Output       |             |

**CONNECT AND OPERATE**

- 1) Connect source devices to input ports of FX-SMX99.
- 2) Connect HDMI output port to TV or other HDMI sink devices.
- 3) Optional: Connect the IR Cable to the IR Port.
- 4) Optional: Connect RS232 cable from PC RS232 port (or USB-RS232 converter) to SX-SMX99.
- 5) Optional: Connect Audio (Coaxial) cable to the Audio output port.
- 6) Optional: Connect an Ethernet cable from the TCP/IP port on the matrix to a local Area Network.
- 7) Connect 12V/3A power supply to DC power socket.
- 8) Power on the FX-SMX99, TV and other devices.
- 9) Control FX-SMX99 by using buttons on the front panel.

a. Select input for output port:

Press output button (out1~out9) and then press the input button (in1~in9 ). The output port will change it's source to the selected source.

b). Save the setting to reserve mode:

Press 'Save' button first and then press 'mode1','mode2', 'mode3', 'mode4', 'mode5' or'mode6' will save the current setting.

c). Recall the saved mode:

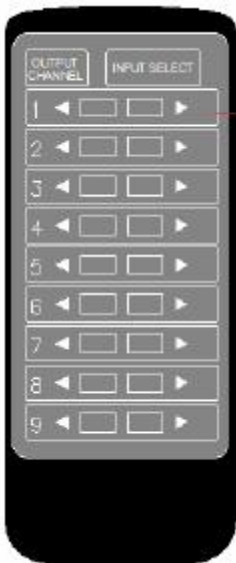
Press 'Select' button first and then press 'mode1','mode2', 'mode3', 'mode4', 'mode5' or'mode6' will recall the saved set.



d). Press button "Multiview" the 9th output port will show Multi-view.

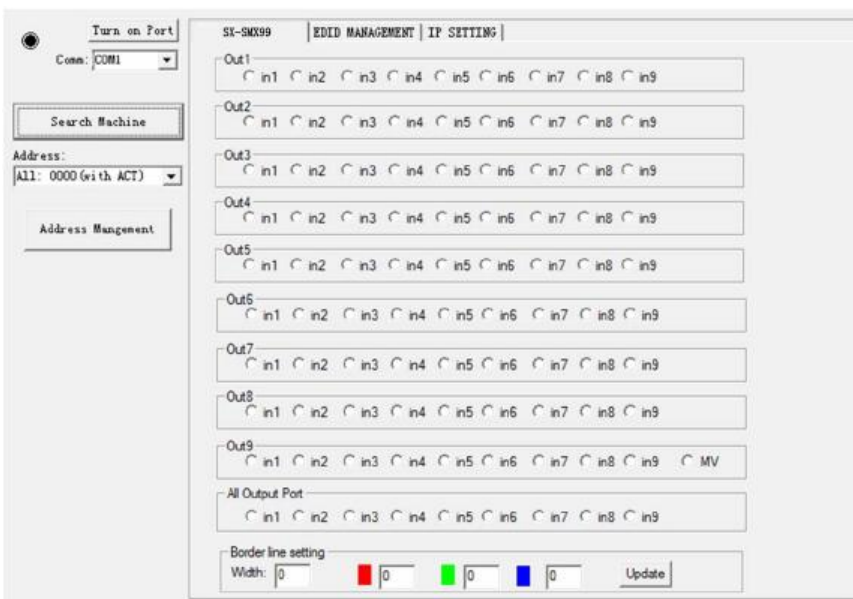


10) Control via remote control. Discrete IR code is supported for the IR signal from control system such as Control 4 etc.



To change the source of output1 to the previous or the next one.  
 (The sequence will be: 1, 2, 3, 4, 5, 6, 7, 8, 9, MV. The 3x3 multiview can be select as the same as the 9 input ports with the seamless switching mode.)

11) Control via RS232.(Need to update)



12) Control via TCP/IP.

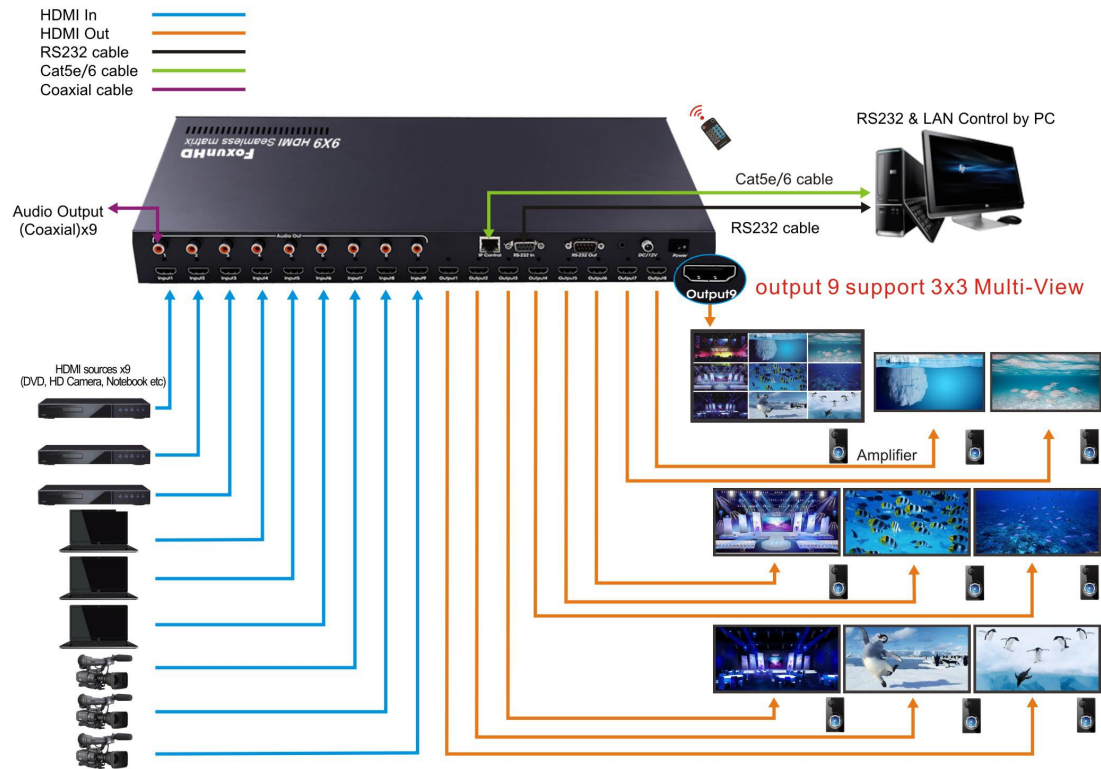
TCP/IP command list:

Description	Frame header			Length		Group Address	Devide Address	Keyword		Parameter		Check Sum
	AA	06	00	07	00			01	10	01	01	
OUT1-->IN1	AA	06	00	07	00	00	00	01	10	01	01	36
OUT1-->IN2	AA	06	00	07	00	00	00	01	10	01	02	35
OUT1-->IN3	AA	06	00	07	00	00	00	01	10	01	03	34
OUT1-->IN4	AA	06	00	07	00	00	00	01	10	01	04	33
OUT1-->IN5	AA	06	00	07	00	00	00	01	10	01	05	32
OUT1-->IN6	AA	06	00	07	00	00	00	01	10	01	06	31
OUT1-->IN7	AA	06	00	07	00	00	00	01	10	01	07	30
OUT1-->IN8	AA	06	00	07	00	00	00	01	10	01	08	2F
OUT1-->IN9	AA	06	00	07	00	00	00	01	10	01	09	2E
OUT2-->IN1	AA	06	00	07	00	00	00	01	10	02	01	35
OUT2-->IN2	AA	06	00	07	00	00	00	01	10	02	02	34
OUT2-->IN3	AA	06	00	07	00	00	00	01	10	02	03	33
OUT2-->IN4	AA	06	00	07	00	00	00	01	10	02	04	32
OUT2-->IN5	AA	06	00	07	00	00	00	01	10	02	05	31
OUT2-->IN6	AA	06	00	07	00	00	00	01	10	02	06	30
OUT2-->IN7	AA	06	00	07	00	00	00	01	10	02	07	2F
OUT2-->IN8	AA	06	00	07	00	00	00	01	10	02	08	2E
OUT2-->IN9	AA	06	00	07	00	00	00	01	10	02	09	2D
OUT3-->IN1	AA	06	00	07	00	00	00	01	10	03	01	34
OUT3-->IN2	AA	06	00	07	00	00	00	01	10	03	02	33
OUT3-->IN3	AA	06	00	07	00	00	00	01	10	03	03	32
OUT3-->IN4	AA	06	00	07	00	00	00	01	10	03	04	31
OUT3-->IN5	AA	06	00	07	00	00	00	01	10	03	05	30
OUT3-->IN6	AA	06	00	07	00	00	00	01	10	03	06	2F
OUT3-->IN7	AA	06	00	07	00	00	00	01	10	03	07	2E
OUT3-->IN8	AA	06	00	07	00	00	00	01	10	03	08	2D
OUT3-->IN9	AA	06	00	07	00	00	00	01	10	03	09	2C

OUT4-->IN1	AA	06	00	07	00	00	00	01	10	04	01	33
OUT4-->IN2	AA	06	00	07	00	00	00	01	10	04	02	32
OUT4-->IN3	AA	06	00	07	00	00	00	01	10	04	03	31
OUT4-->IN4	AA	06	00	07	00	00	00	01	10	04	04	30
OUT4-->IN5	AA	06	00	07	00	00	00	01	10	04	05	2F
OUT4-->IN6	AA	06	00	07	00	00	00	01	10	04	06	2E
OUT4-->IN7	AA	06	00	07	00	00	00	01	10	04	07	2D
OUT4-->IN8	AA	06	00	07	00	00	00	01	10	04	08	2C
OUT4-->IN9	AA	06	00	07	00	00	00	01	10	04	09	2B
OUT5-->IN1	AA	06	00	07	00	00	00	01	10	05	01	32
OUT5-->IN2	AA	06	00	07	00	00	00	01	10	05	02	31
OUT5-->IN3	AA	06	00	07	00	00	00	01	10	05	03	30
OUT5-->IN4	AA	06	00	07	00	00	00	01	10	05	04	2F
OUT5-->IN5	AA	06	00	07	00	00	00	01	10	05	05	2E
OUT5-->IN6	AA	06	00	07	00	00	00	01	10	05	06	2D
OUT5-->IN7	AA	06	00	07	00	00	00	01	10	05	07	2C
OUT5-->IN8	AA	06	00	07	00	00	00	01	10	05	08	2B
OUT5-->IN9	AA	06	00	07	00	00	00	01	10	05	09	2A
OUT6-->IN1	AA	06	00	07	00	00	00	01	10	06	01	31

OUT6-->IN2	AA	06	00	07	00	00	00	01	10	06	02	30
OUT6-->IN3	AA	06	00	07	00	00	00	01	10	06	03	2F
OUT6-->IN4	AA	06	00	07	00	00	00	01	10	06	04	2E
OUT6-->IN5	AA	06	00	07	00	00	00	01	10	06	05	2D
OUT6-->IN6	AA	06	00	07	00	00	00	01	10	06	06	2C
OUT6-->IN7	AA	06	00	07	00	00	00	01	10	06	07	2B
OUT6-->IN8	AA	06	00	07	00	00	00	01	10	06	08	2A
OUT6-->IN9	AA	06	00	07	00	00	00	01	10	06	09	29
OUT7-->IN1	AA	06	00	07	00	00	00	01	10	07	01	30
OUT7-->IN2	AA	06	00	07	00	00	00	01	10	07	02	2F
OUT7-->IN3	AA	06	00	07	00	00	00	01	10	07	03	2E
OUT7-->IN4	AA	06	00	07	00	00	00	01	10	07	04	2D
OUT7-->IN5	AA	06	00	07	00	00	00	01	10	07	05	2C
OUT7-->IN6	AA	06	00	07	00	00	00	01	10	07	06	2B
OUT7-->IN7	AA	06	00	07	00	00	00	01	10	07	07	2A
OUT7-->IN8	AA	06	00	07	00	00	00	01	10	07	08	29
OUT7-->IN9	AA	06	00	07	00	00	00	01	10	07	09	28
OUT8-->IN1	AA	06	00	07	00	00	00	01	10	08	01	2F
OUT8-->IN2	AA	06	00	07	00	00	00	01	10	08	02	2E
OUT8-->IN3	AA	06	00	07	00	00	00	01	10	08	03	2D
OUT8-->IN4	AA	06	00	07	00	00	00	01	10	08	04	2C
OUT8-->IN5	AA	06	00	07	00	00	00	01	10	08	05	2B
OUT8-->IN6	AA	06	00	07	00	00	00	01	10	08	06	2A
OUT8-->IN7	AA	06	00	07	00	00	00	01	10	08	07	29
OUT8-->IN8	AA	06	00	07	00	00	00	01	10	08	08	28
OUT8-->IN9	AA	06	00	07	00	00	00	01	10	08	09	27
ALL-->IN1	AA	06	00	07	00	00	00	01	10	00	01	37
ALL-->IN2	AA	06	00	07	00	00	00	01	10	00	02	36
ALL-->IN3	AA	06	00	07	00	00	00	01	10	00	03	35
ALL-->IN4	AA	06	00	07	00	00	00	01	10	00	04	34
ALL-->IN5	AA	06	00	07	00	00	00	01	10	00	05	33
ALL-->IN6	AA	06	00	07	00	00	00	01	10	00	06	32
ALL-->IN7	AA	06	00	07	00	00	00	01	10	00	07	31
ALL-->IN8	AA	06	00	07	00	00	00	01	10	00	08	30
ALL-->IN9	AA	06	00	07	00	00	00	01	10	00	09	2F
OUT9--> MultiView	AA	06	00	07	00	00	00	01	10	09	0A	25

**Typical Application**



**3\*3 Multi-view on the 9<sup>th</sup> output port**



**Attention: 1) Insert/Extract cable gently.**

**2) Please don't insert into or pull out HDMI Cable when power on. please connect Cable only when power is off.**

**MAINTENANCE**

Clean this unit with a soft, dry cloth. Never use alcohol, paint thinner or benzene to clean this unit.

**PRODUCT SERVICE**

- 1) **Damage requiring service:** The unit should be serviced by qualified service personnel if:
  - (a)The DC power supply cord or AC adaptor has been damaged;
  - (b)Objects or liquids have gotten into the unit;
  - (c)The unit has been exposed to rain;
  - (d)The unit does not operate normally or exhibits a marked change in performance;
  - (e)The unit has been dropped or the cabinet damaged.
- 2) **Servicing Personnel:** Do not attempt to service the unit beyond that described in these operating instructions. Refer all other servicing to authorized servicing personnel.
- 3) **Replacement parts:** When parts need replacing ensure the servicer uses parts specified by the manufacturer or parts that have the same characteristics as the original parts. Unauthorized substitutes may result in fire, electric shock, or other hazards.
- 4) **Safety check:** After repairs or service, ask the servicer to perform safety checks to confirm that the unit is in proper working condition.

**WARRANTY**

If your product does not work properly because of a defect in materials or workmanship, our Company (referred to as "the warrantor" ) will , for the length of the period indicated as below,

**(Parts(2)Year ,Labor(90) Days)** which starts with the date of original purchase ("Limited Warranty period"), at its option either(a) repair your product with new or refurbished parts, or (b) replace it with a new of a refurbished product. The decision to repair or replace will be made by the warrantor.

During the "Labor" Limited Warranty period there will be no charge for labor.

During the "Parts" warranty period, there will be no charge for parts. You must mail-in your product during the warranty period. This Limited Warranty is extended only to the original purchaser and only covers product purchased as new. A purchase receipt or other proof of original purchase date is required for Limited Warranty service.

**LIMITED WARRANTY LIMITS AND EXCLUSIONS**

- 1) This Limited Warranty ONLY COVERS failures due to defects in materials or workmanship, and DOES NOT COVER normal wear and tear or cosmetic damage. The Limited Warranty ALSO DOES NOT COVER

damages which occurred in shipment, or failures which are caused by products not supplied by warrantor, or failures which result from accidents, misuse, abuse, neglect, mishandling, misapplication, alteration, faulty installation, set-up adjustments, misadjustment of consumer controls, improper maintenance, power line surge, lightning damage, modification, or service by anyone other than a Factory Service center or other Authorized Servicer, or damage that is attributable to acts of God.

2) THERE ARE NO EXPRESS WARRANTIES EXCEPT AS LISTED UNDER "LIMITED WARRANTY COVERAGE". THE WARRANTOR IS NOT LIABLE FOR INCIDENTAL OR CONSEQUENTIAL DAMAGES RESULTING FROM THE USE OF THIS PRODUCT, OR ARISING OUT OF ANY BREACH OF THIS WARRANTY. (As examples, this excludes damages for lost time, cost of having someone remove or re-install an installed unit if applicable, travel to and from the service, loss of or damage to media or images, data or other recorded content. The items listed are not exclusive, but are for illustration only. PARTS AND SERVICE, WHICH ARE NOT COVERED BY THIS LIMITED WARRANTY, ARE YOUR RESPONSIBILITY.